
EPSON T-SERIES SCARA ROBOT

LET'S GET
STARTED



EPSON[®]
EXCEED YOUR VISION

A QUICKER PATH TO BREAKING EVEN

Automation solutions are more intelligent, efficient and cost-effective than ever. There's no better example of this than the new Epson T-Series SCARA robot. It is the introductory model in our comprehensive SCARA product range — ideal for simple pick-and-place applications and in areas where linear systems were previously used.

REDUCE-TO-THE-POINT

Epson T-Series SCARA robots are characterised by an excellent price/performance ratio. For just EUR 7,500 you get a powerful 4-axis robot with integrated controller and diverse connection possibilities, e.g. to ProfiBUS and ProfiNET. The Epson T series also supports image processing, integration of external software and the option to design a custom user interface.

BENEFITS OF THE EPSON T-SERIES AT A GLANCE

- Flexible due to four axes: greater variation in movement
- Intelligent thanks to the integrated, powerful robot controller with system connection
- Efficient operation and maintenance thanks to simple cabling
- Energy-saving due to lower power consumption
- Space-saving — compact unit with a very small footprint — no separate space required for the controller
- Sustainable thanks to a position sensor system without batteries



Integrated controller

EPSON SCARA Robot T3-401S

Range: 400 mm

Load capacity: 3 kg

Price: EUR 7,500 ex. VAT

An additional T-Series model will be available soon:
the Epson T6 with 6-kg load capacity.
Smart ordering: www.epson.de/robot-store

COMPARE THEM THOROUGHLY THEN MAKE THE LOGICAL CHOICE

A robot whose price/performance ratio makes it ideally suited to simple...

- pick-and-place applications with a repeatability of 0.02 mm
- part feeding, positioning and inspection tasks
- assembly tasks, including those supported by the Epson Vision System
- material coating at a moderate speed

The Epson T-Series SCARA robots are suitable for tasks that were previously performed manually or via linear axes.



Inefficient manual
pick-and-place applications



Easy-to-use T series
automation



High complexity in applications
with combined linear axes

Compared to manual activities:

- More stable, continuous work processes
- Minimised error rate
- Seamless traceability in digitised processes
- Shorter throughput times

Compared to linear axes:

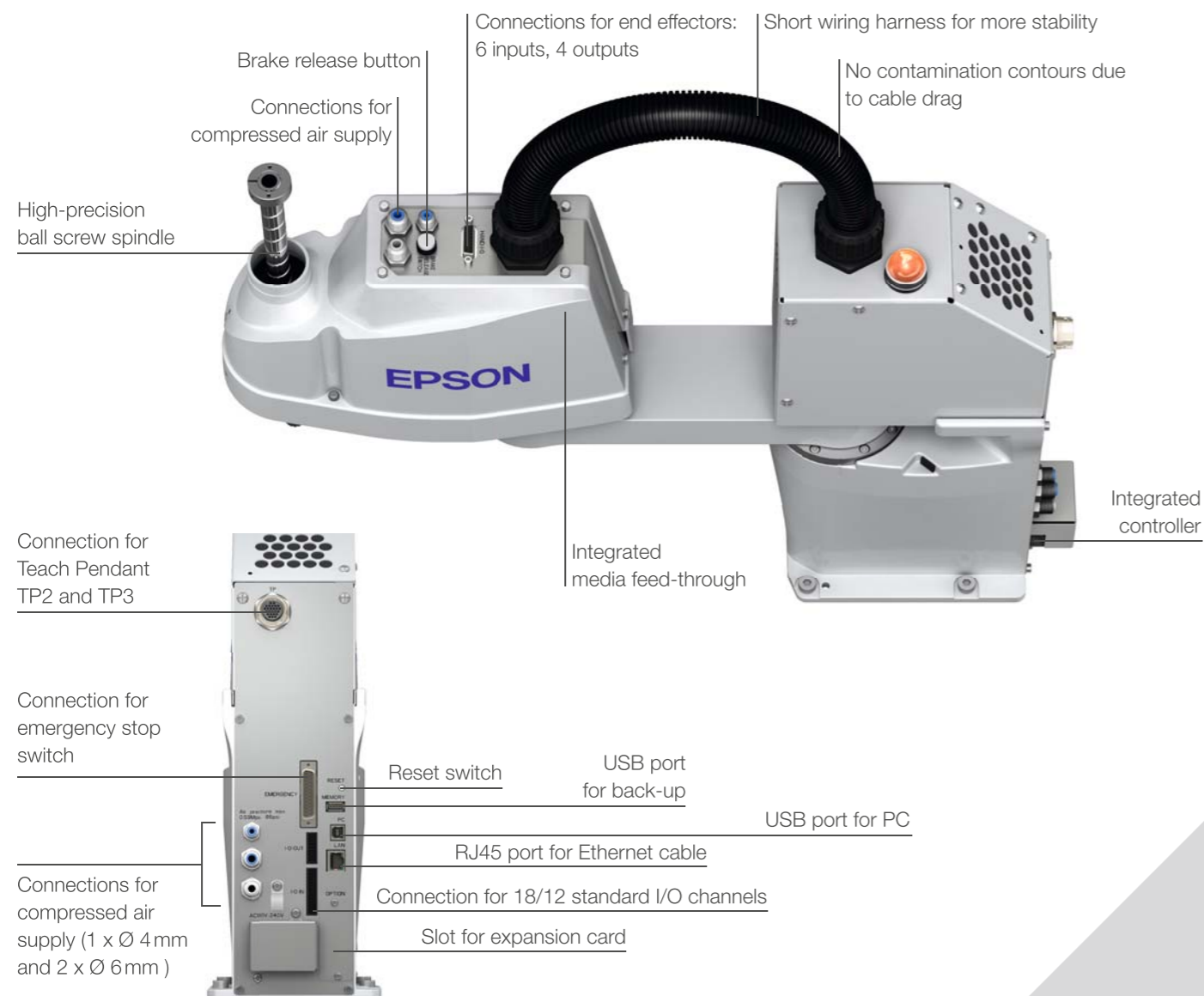
- Lower running costs
- Significantly lower space requirements
- Simpler cabling
- Lower maintenance costs
- Increased flexibility
- Less unplanned machine downtime
- No restriction to single-purpose usage
- Connections for end effectors

THE EPSON T3 IMPRESSES TIME AFTER TIME

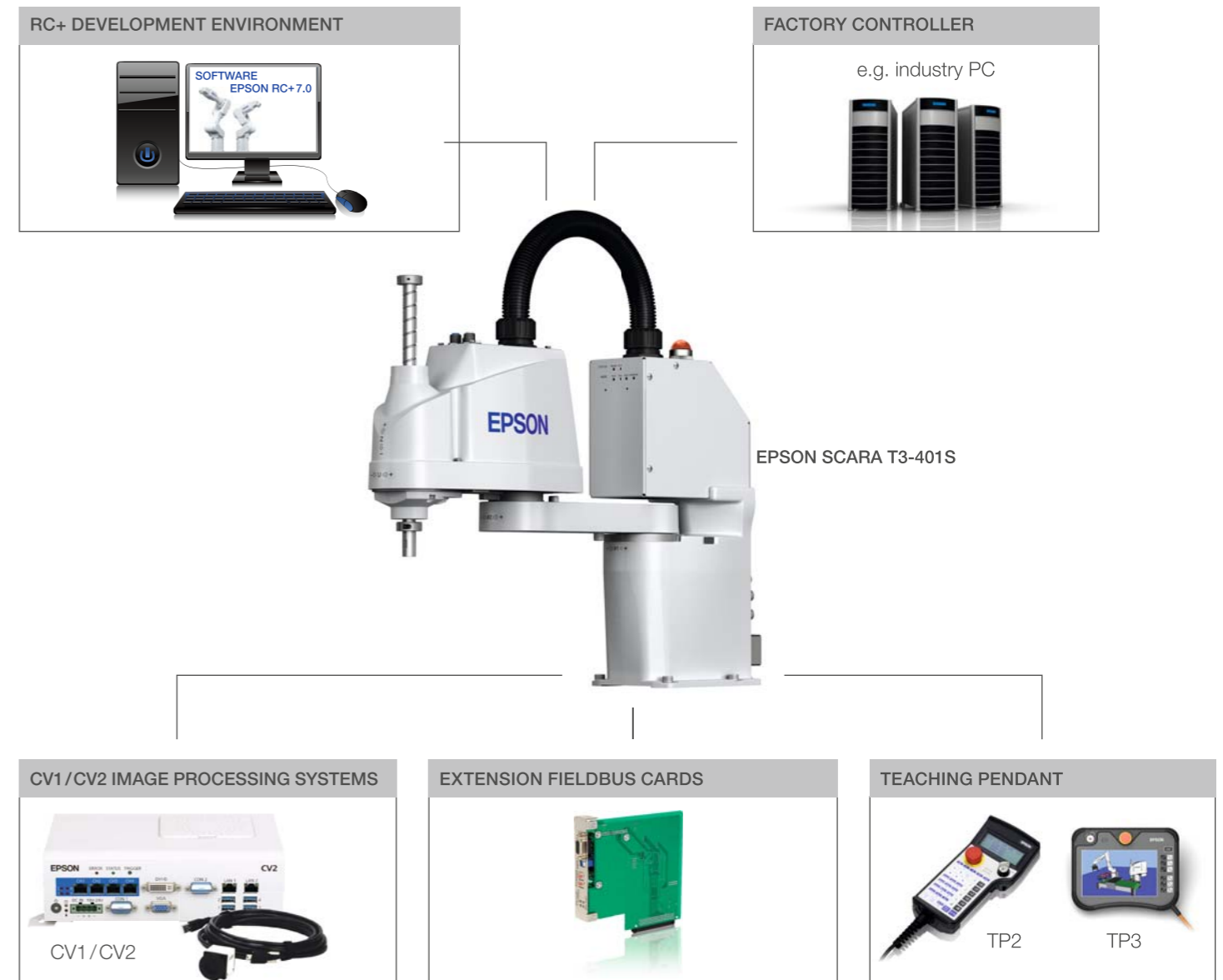
Our affordable entry-level model is a fully developed SCARA robot in every way. It can be combined with a range of tools and includes six inputs and four outputs for end effectors. The robot's integrated controller not only saves space, but also means that installation, commissioning and later replacement are greatly simplified. As with all Epson kinematics, the power supply cables are located within the T3, ensuring quick commissioning and maximum system reliability.

Energy and cost-saving solution

Compared to conventional SCARA robots, the power consumption of the T3 is reduced by up to 30%. The battery-driven motor unit reduces operating costs and is environmentally friendly.



A TRUE TEAM PLAYER



Supported software options:

– Vision Guide 7.0

Epson image processing software with support for high-resolution cameras and colour cameras

– RC+ API 7.0

Convenient integration of external software and databases, development of custom user-interfaces

– External control point (ECP)

For easy teaching of corners and curves

– GUI Builder 7.0

To design your own user interface based on the simple Epson programming language SPEL+

– Optical character recognition (OCR)

For safe detection and control of fonts and symbols

TECHNICAL SPECIFICATIONS

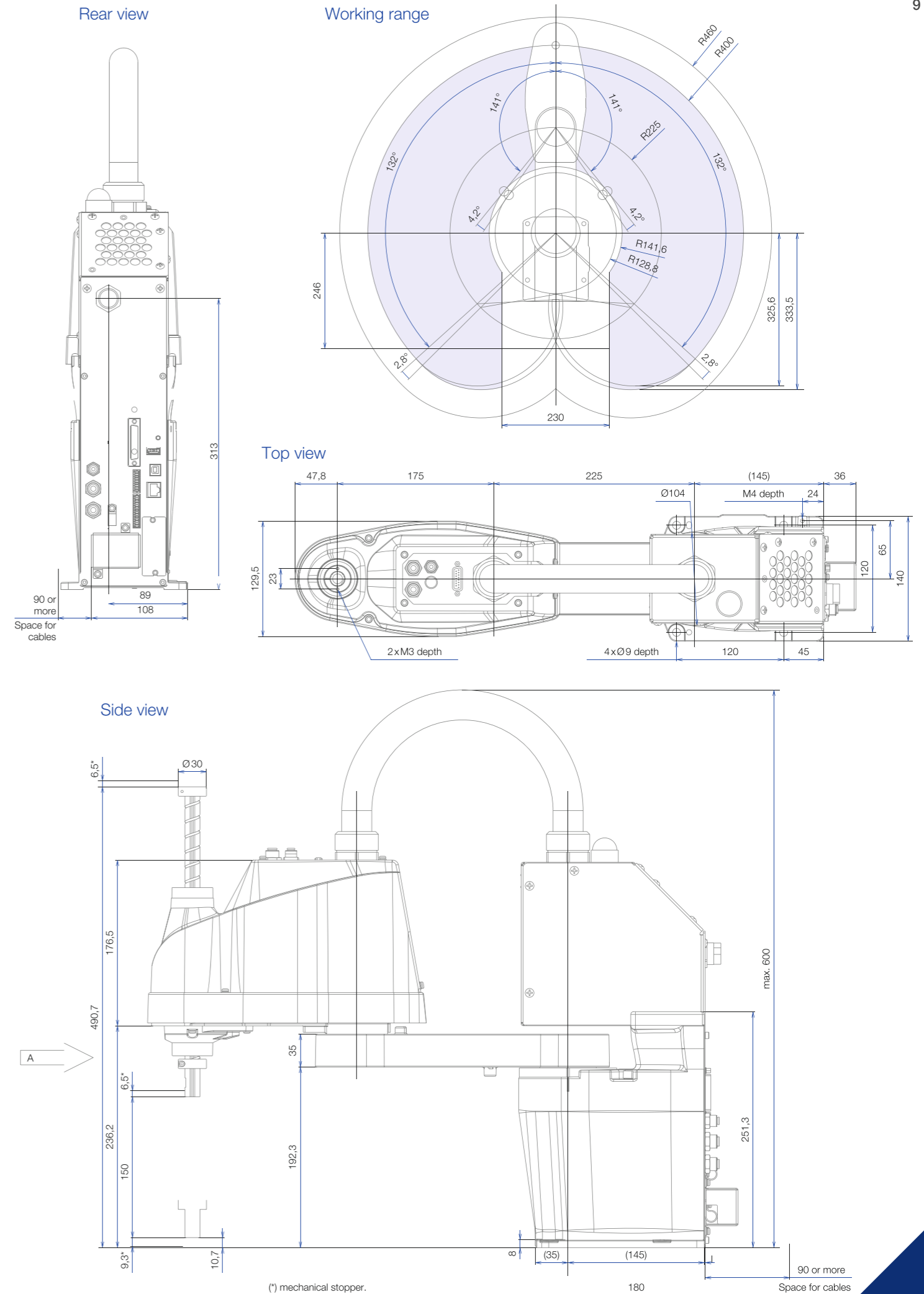
T3-401S

Design	outwardly oriented horizontal articulated arm
Load capacity	1/3 kg
Horizontal range	400 mm
Vertical range	150 mm
Arm length	J1 225 mm + J2 175 mm
Orientation range	J4 +/- 360°
Horizontal repeatability	J1, J2 +/- 0.02 mm
Vertical repeatability	J3 +/- 0.02 mm
Orientation repeatability	J4 +/- 0.02°
Max. working range	J1 +/- 132°, J2 +/- 141° J3 150 mm, J4 +/- 360°
Max. axial speed	J1, J2 3,700 mm/s J3 1,000 mm/s, J4 2,600°/s
Mass moment of inertia	0.003/0.01 kg m ²
Permanent press-in force	89N
Installation type	Floor
Z-axis outside / inside	16H7/11 mm
Power ratings / cable length	AC 100 V to AC 240 V/5 m
Certification	CE Mark, EMC Directive, Machinery Directive, RoHS Directive, ANSI/RIA R15.06-2012 NFPA 79 (2007 Edition)
Weight	16 kg
Available options	Fieldbus slave card: CC-LINK and from May 2017, Profibus, Devicenet, Profinet, Ethernet /IP Fieldbus master card (requires external PC): Profibus, Devicenet, Ethernet/IP
Price ex. VAT	from EUR 7,500

J1 = Axis 1 **J2** = Axis 2 **J3** = Axis 3 **J4** = Axis 4

Package

- Epson robot with integrated controller
- 1 Epson RC+ program DVD including simulator
- 1 plug for emergency stop
- 1 plug for standard I/O
- 1 USB programming cable
- Manuals on CD
- 1 installation/safety manual
- 1 TP/bypass plug (pre-installed at factory)



ENSURE YOUR PRODUCTION LINE HITS TOP GEAR

EPSON ROBOT SYSTEMS: PRECISE, FAST AND ABSOLUTELY RELIABLE.

Our robots pallet, saw, mill, drill, grind, assemble, move and build together. They work precisely and at a breathtaking speed in all these and many other applications — often up to 24 hours a day.

Our product portfolio includes one of the most extensive SCARA model ranges worldwide, 6-axis robots, controllers and software.

DISCOVER THE FULL POTENTIAL OF YOUR EPSON ROBOT SYSTEMS

As a service, we offer a comprehensive **pre- and after-sales support program**, including:

- Feasibility studies for maximum planning and project security
- Support for planning and implementation
- Introductory seminars, programming/maintenance courses, operator training
- Inspection and individual maintenance concepts
- Hotline service, on-site repair service
- Central spare part stocking



EPSON SPIDER ROBOTS

The economic miracle: Thanks to its unique design, the Epson Spider can reach every corner of its workspace while achieving unmatched cycle times.



EPSON SCARA ROBOTS

Precise working even at high speeds; compact and powerful. Epson has the world's largest range of SCARA robots — with over 300 models.



EPSON CONTROLLERS

Strong performance in a small space. Epson controllers are based on a robust, integrated system and can control manipulators and peripherals.



EPSON 6-AXIS ROBOT

Flexibility through rotating axes. Unrivalled point and track accuracy enables complex work processes to be precisely executed.

EPSON INDUSTRY SOLUTIONS CENTER – WE'LL FIND YOUR SOLUTION!



Experience all our Epson robots in action. In a workshop cell you can build, simulate and improve your automation application with help from our experts. The cell can be controlled and networked using all conventional fieldbus systems. In addition we can supply you with modern peripherals such as a vision and conveyor tracking system.

WOULD YOU LIKE TO ARRANGE
AN APPOINTMENT?

CALL US AT
+49 2159 538 1800

OR SEND AN E-MAIL TO
info.rs@epson.de

EPSON DEUTSCHLAND GMBH

Robotic Solutions
Otto-Hahn-Strasse 4
40670 Meerbusch

Phone: +49 2159 5381800
Fax: +49 2159 5383170
E-mail: info.rs@epson.de
www.epson.de/robots

Epson America Inc.
<http://epsonrobots.com>

Seiko Epson Corp
<http://global.epson.com/products/robots/>

Epson China Co, Ltd.
www.epson.com.cn/robots/

EPSON[®]
EXCEED YOUR VISION